

DORMA PURE[®] and PURE ENCLOSE[®] Wall Systems for Drop Ceiling Applications

Installation instructions - Supplemental

933079 – 03-2018

| EN |

dormakaba 

Table of contents

1	Technical specifications	3
1.1	Overview	3
	1.1.1 General information	3
	1.1.2 Intended use	3
	1.1.3 Glass requirements/fittings/mounting	3
	1.1.4 Requirements for glass panel	3
	1.1.5 Safety instructions	3
	1.1.6 Symbols used - Safety/Installation	3
	1.1.7 Maintenance, care, repair	3
	1.1.8 Disposal	3
2	Application variations	4
2.1	Door Header (RTS or PT21) + Sidelite Header	4
2.2	Door Header (RTS or PT21) + U-channel	4
2.3	U-channel only	4
3	Installation instructions -	5
	- Header with RTS closer	5
	- Header with PT21 pivot	5
	- Sidelite Header	5
3.1	Select appropriate clip and assemble the bracket	5
3.2	Secure clips to header tube	6
3.3	Secure header and clips to grid	7
4.1	Select appropriate clip and assemble bracket	8
4	Installation instructions - U-channel	8
4.2	Secure clips to U-channel	9
4.3	Secure U-channel and clips to grid	10
5	Secure to approved ceiling surface	11

1 Technical specifications

1.1 Overview

These instructions are for installation of DORMA PURE® and PURE ENCLOSE® Wall Systems for the following mounting and style versions:

1. Drop Ceiling mount

1.1.1 General information

- dormakaba requires use of tempered laminated or tempered monolithic glass.
- dormakaba glass hardware is not suitable for harsh environment; for example, applications where chemicals (e.g. chlorine) are used such as indoor swimming pools, saunas, or salt-water pools.
- Do not swing doors with excessive force. Ensure proper installation of limiting stop to prevent door from opening too far.

1.1.2 Intended use

- For swinging doors in dry indoor areas only.
- For manual slow opening and closing only.

1.1.3 Glass requirements/ fittings/ mounting

- The substructure/wall must be able to bear permanent loads, be level (max. tolerance: 1/16" [2] per 39" [1m]).
- Fasteners must be sufficiently dimensioned for the substructure/wall and weight of the door.
- When adjusting glass elements, always stick to the required clearance for the respective hardware. Adjust clearance so glass does not come in contact with any hard surfaces such as glass, metal or concrete.
- Do not use excessive force when installing the glass (avoid over tightening screws.)

1.1.4 Requirements for glass panel

- dormakaba requires use of fully tempered glass, which complies with ASTM C 1036 and ASTM C 1048. Secondary heat soaking processes are recommended but not required. This applies to both tempered monolithic and tempered laminated glass.
- Clamping area must be flat and uncoated (no self-cleaning coating!)
- Never use glass with conchoidal fractures and/or damaged edges.

1.1.5 Safety instructions

- Installation requires two people.
- Always wear protective clothing.
- Only properly qualified and specially trained staff are authorized to mount dormakaba glass hardware.

- Due to crushing hazards and possible injury caused by breakage of glass during mounting, corresponding protective clothing (especially gloves and protective goggles) is required.
- Never clamp metal fitting hardware directly to glass surface.
- Never use clamping products on surfaces with self-cleaning coatings.

1.1.6 Symbols used - Safety/Installation



CAUTION

Mounting components must meet the requirements of substructure/wall and door weight. Please read the technical information for fittings.



WARNING

Risk of breaking glass. When installing the door, support the door panel with a block of wood or similar object.



TIPS AND RECOMMENDATIONS

Information note



CLOSING EDGE OF DOOR

1.1.7 Maintenance, care, repair

- Immediately replace damaged parts.
- Always use original dormakaba parts.
- Clean clamping area with alcohol-based standard commercial cleaning agent before mounting the glass hardware.
- Use a damp cloth for occasional cleaning.
- Always use silicone - and oil-free cleaners (e.g. acetone).
- Check glass hardware at regular intervals for proper positioning, smooth operation and correct adjustment.
- High traffic door systems require inspection by properly qualified staff (specialized companies or installation firms.)

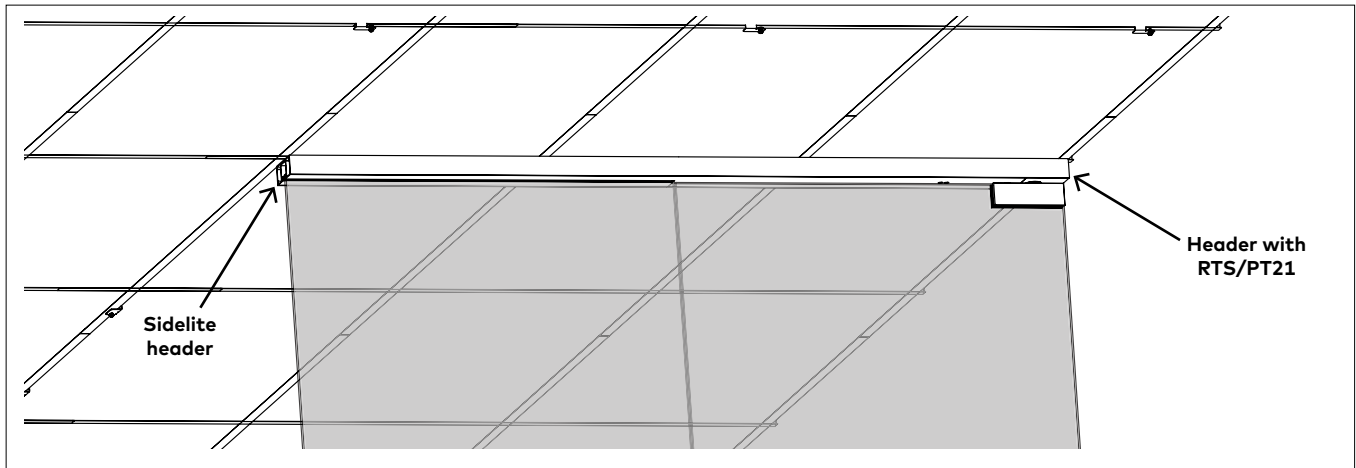
1.1.8 Disposal

Disposal in accordance with local, state and national regulations.

2 Application variations

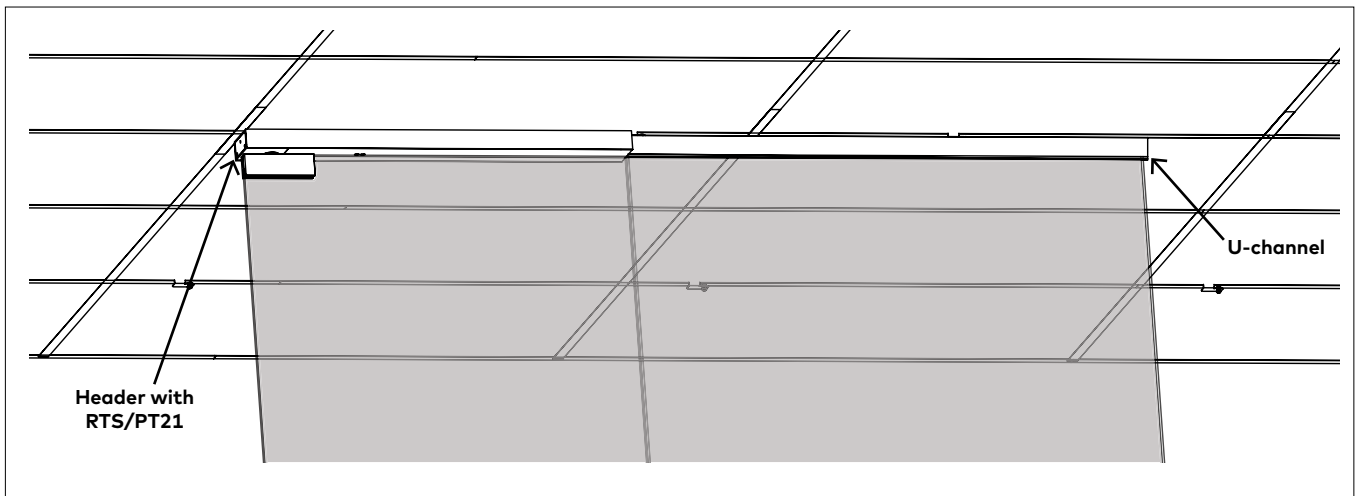
2.1 Door Header (RTS or PT21) + Sidelite Header

Fig 1



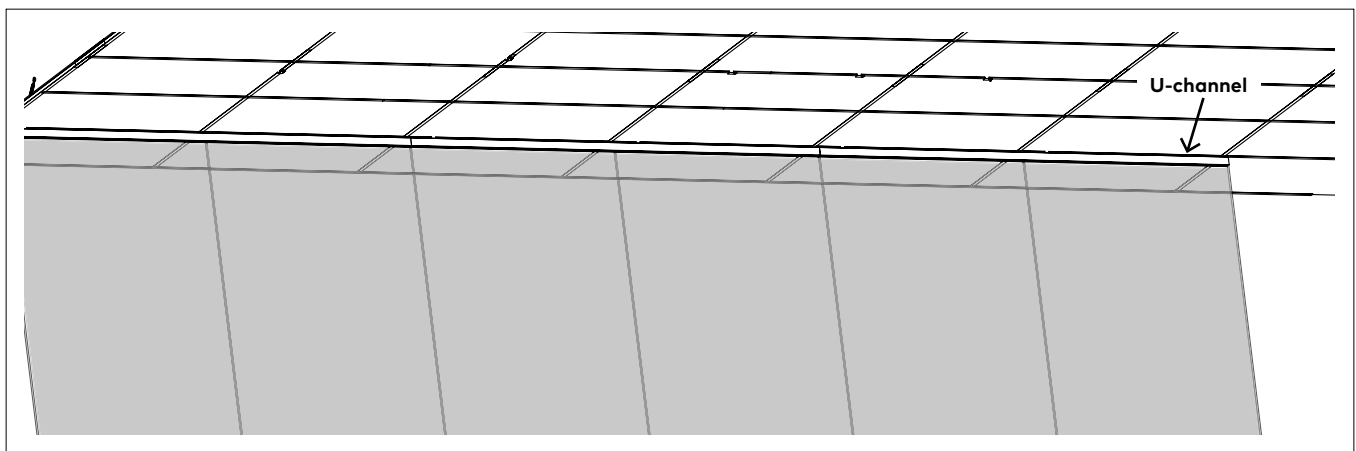
2.2 Door Header (RTS or PT21) + U-channel

Fig 2



2.3 U-channel only

Fig 3

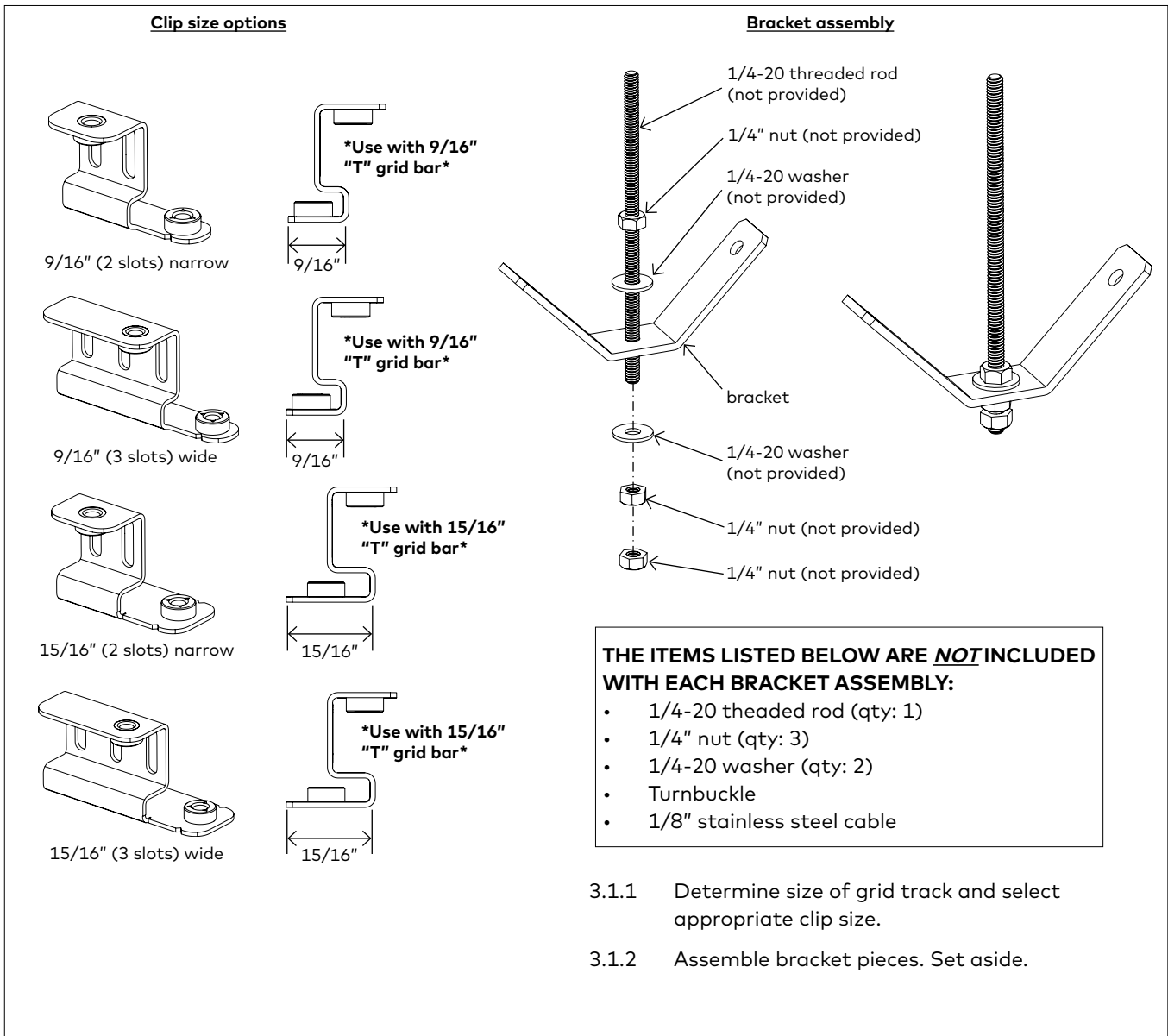


3 Installation instructions -

- ~ Header with RTS closer
- ~ Header with PT21 pivot
- ~ Sidelite Header

3.1 Select appropriate clip and assemble the bracket

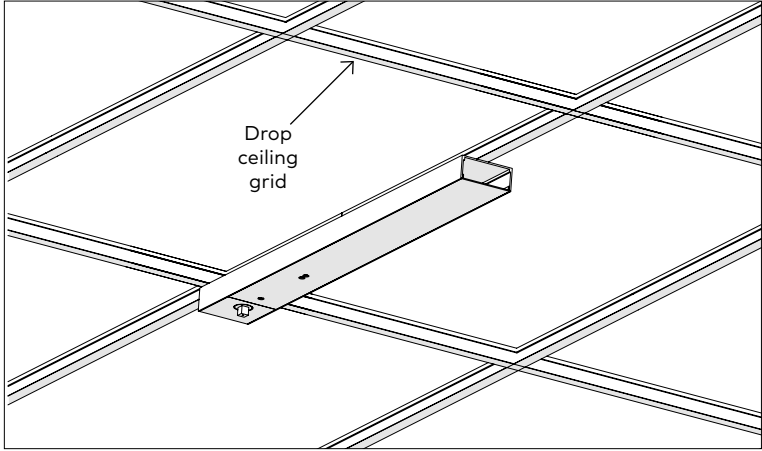
Fig 4



3.2 Secure clips to header tube

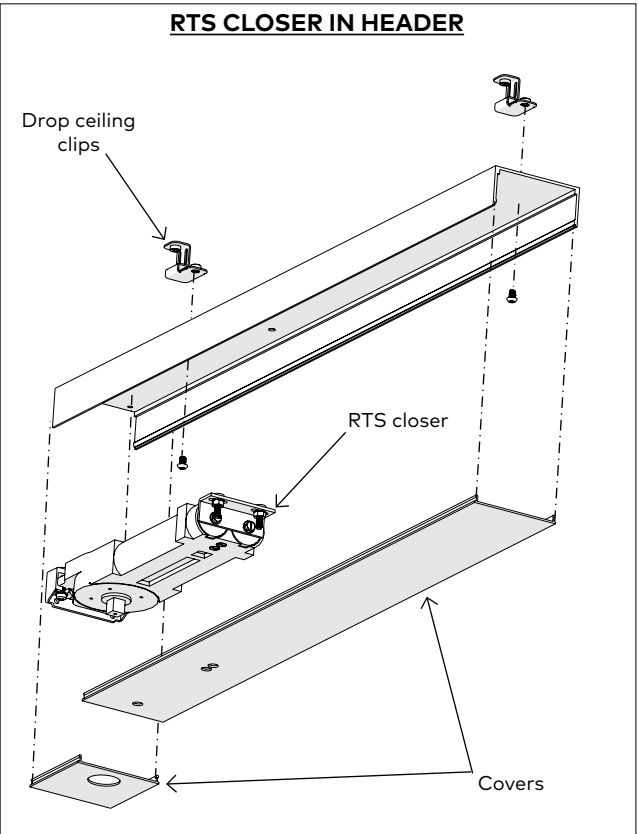
Fig 5

DRILL HOLES IN HEADER ALONG CENTER LINE TO ENSURE HEADER TUBE IS CENTERED ON DROP CEILING GRID.

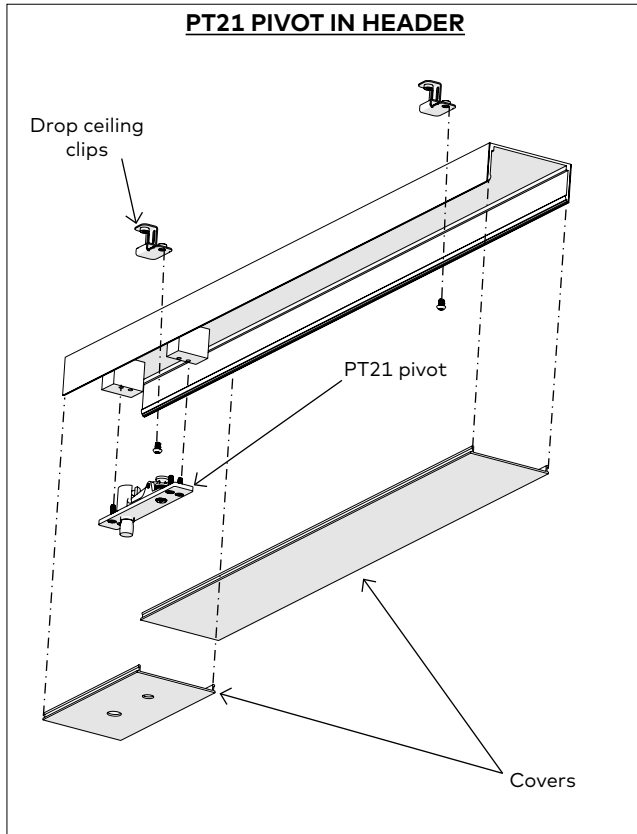


3.2.1 Determine proper header location on grid.

RTS CLOSER IN HEADER



PT21 PIVOT IN HEADER



3.2.A.2 Remove covers and RTS closer from header tube.

3.2.A.3 Determine clip locations and pre-drill header tube with 17/64" bit.
NOTE: Clips should be installed 6" [152] from end of header. Minimum of 2 clips per header. Maximum 48" [1219] between each clip.

3.2.A.4 Secure drop ceiling clips to header tube.

3.2.A.5 Resecure/realign closer and replace covers.

3.2.B.2 Remove covers and PT21 pivot from header tube.

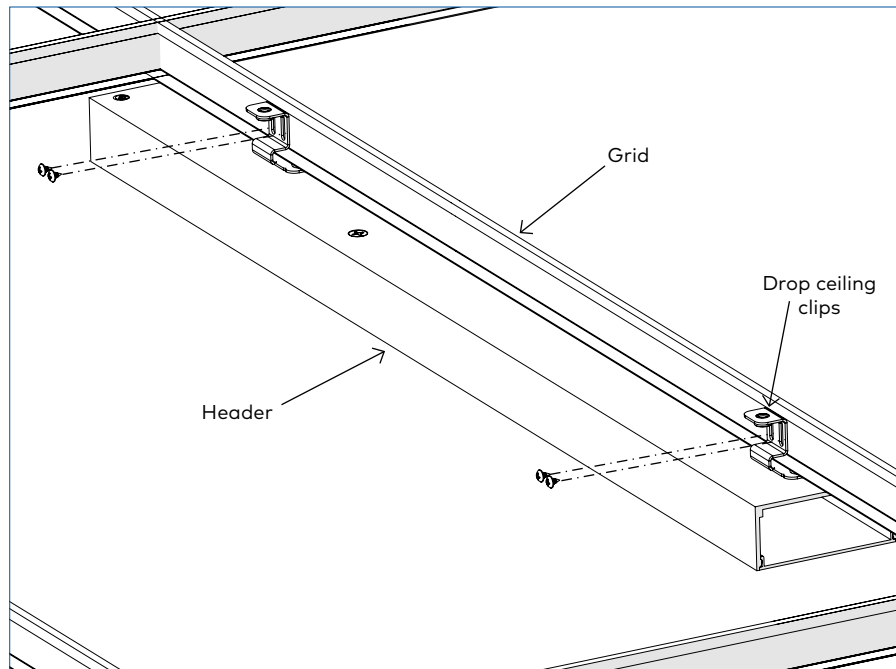
3.2.B.3 Determine clip locations and pre-drill header tube with 17/64" bit.
NOTE: Clips should be installed 6" [152] from end of header. Minimum of 2 clips per header. Maximum 48" [1219] between each clip.

3.2.B.4 Secure drop ceiling clips to header tube.

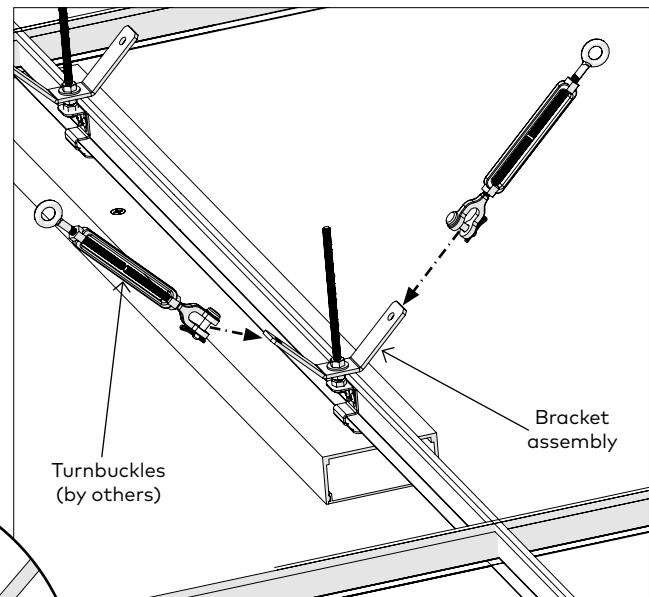
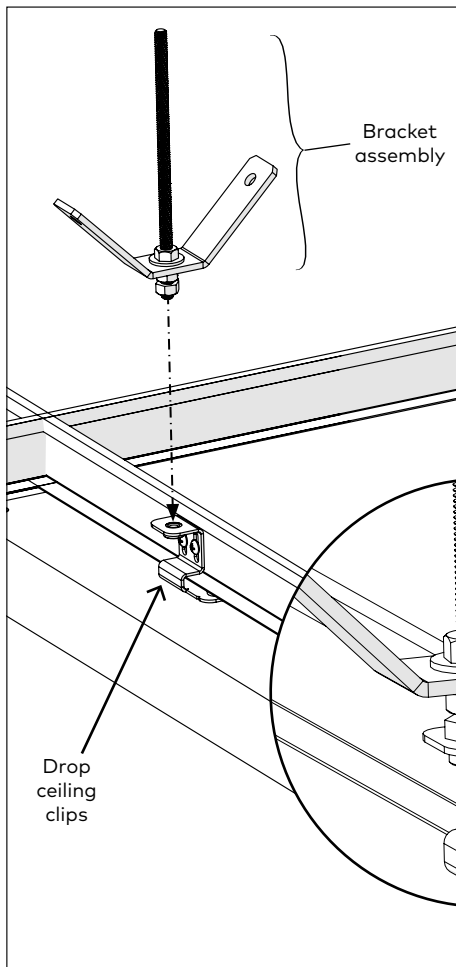
3.2.B.5 Resecure/realign pivot and replace covers.

3.3 Secure header and clips to grid

Fig 6



3.3.1 Secure clips/header to grid.



3.3.2 Secure bracket assembly to clips.

3.3.3 Secure turnbuckles to bracket assembly.
(not provided)

Follow instruction via others for appropriate adjustment and torque of cable wire.

4 Installation instructions - U-channel

4.1 Select appropriate clip and assemble bracket

Fig 7

Clip size options

9/16" (2 slots) narrow
 Use with 9/16" "T" grid bar

9/16" (3 slots) wide
 Use with 9/16" "T" grid bar

15/16" (2 slots) narrow
 Use with 15/16" "T" grid bar

15/16" (3 slots) wide
 Use with 15/16" "T" grid bar

Bracket assembly

1/4-20 threaded rod
 1/4" nut
 1/4-20 washer
 bracket
 1/4-20 washer
 1/4" nut
 1/4" nut

THE ITEMS LISTED BELOW ARE NOT INCLUDED WITH EACH BRACKET ASSEMBLY:

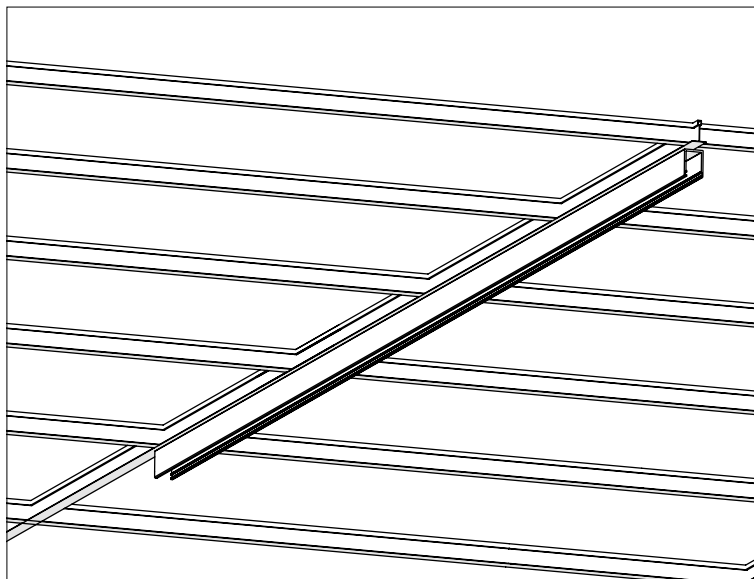
- 1/4-20 theaded rod (qty: 1)
- 1/4" nut (qty: 3)
- 1/4-20 washer (qty: 2)
- Turnbuckle
- 1/8" stainless steel cable

4.1.1 Determine size of grid track and select appropriate clip size.

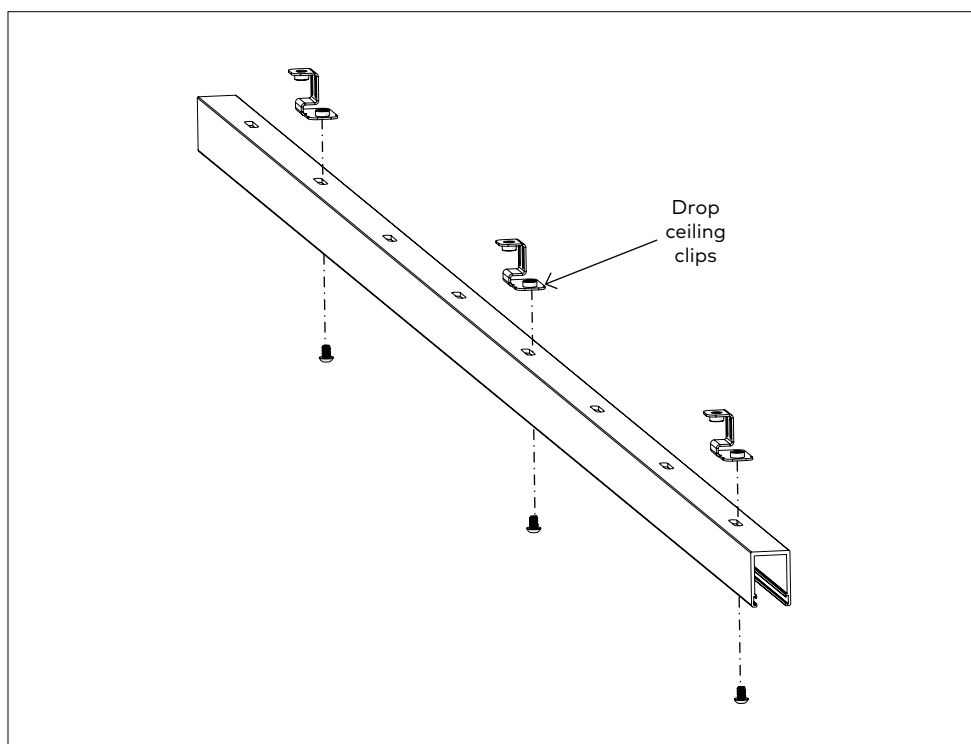
4.1.2 Assemble bracket pieces.

4.2 Secure clips to U-channel

Fig 8



4.2.1 Determine proper U-channel location on grid.



4.2.2 Determine clip locations and pre-drill U-channel with 17/64" bit.

NOTE: Clips should be installed 6" [152] from end of U-channel.

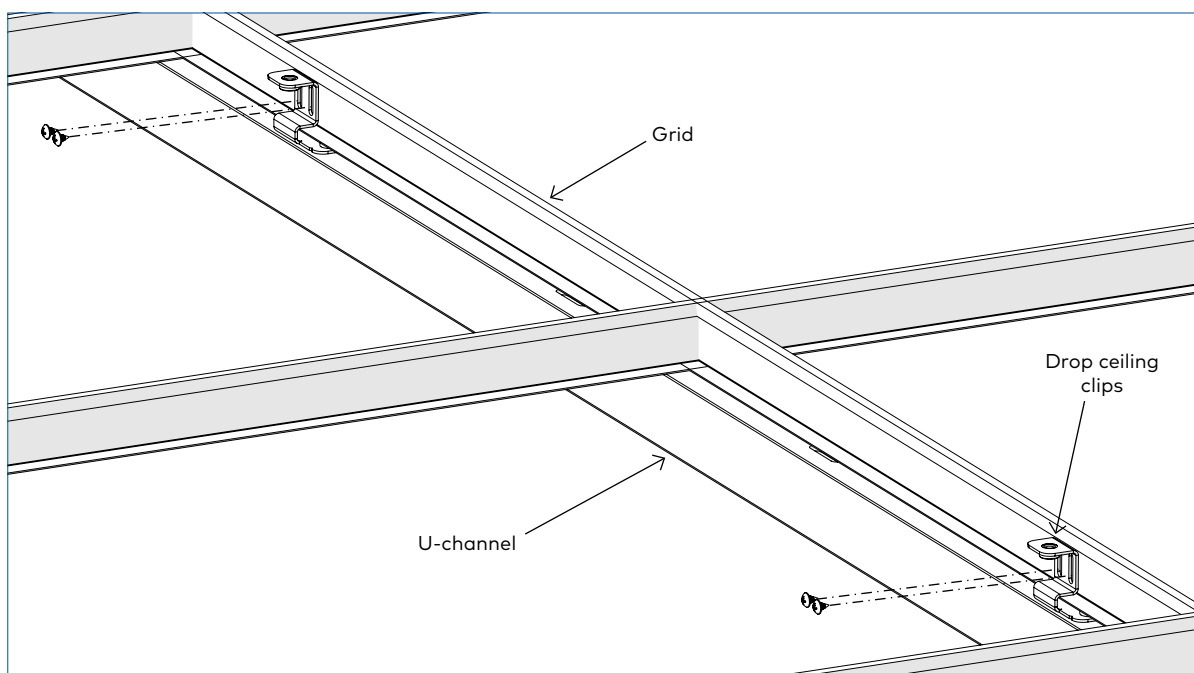
Minimum of 2 clips per U-channel.

Maximum 48" [1219] between each clip.

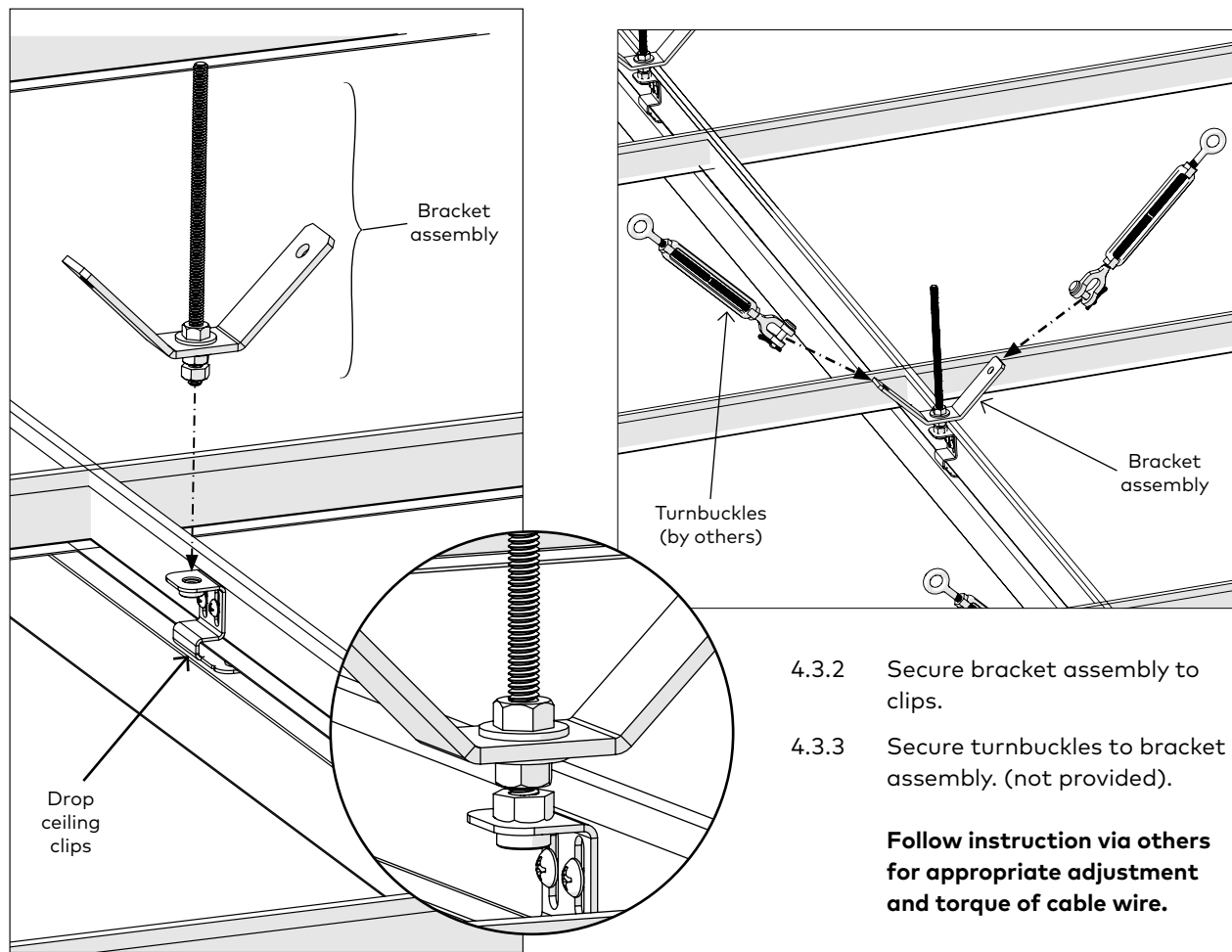
4.2.3 Secure drop ceiling clips to U-channel.

4.3 Secure U-channel and clips to grid

Fig 9



4.3.1 Secure clips/U-channel to grid.



4.3.2 Secure bracket assembly to clips.

4.3.3 Secure turnbuckles to bracket assembly. (not provided).

Follow instruction via others for appropriate adjustment and torque of cable wire.

5 Secure to approved ceiling surface

Fig 10

